

## EMPower Open Cupboard Base - 36"

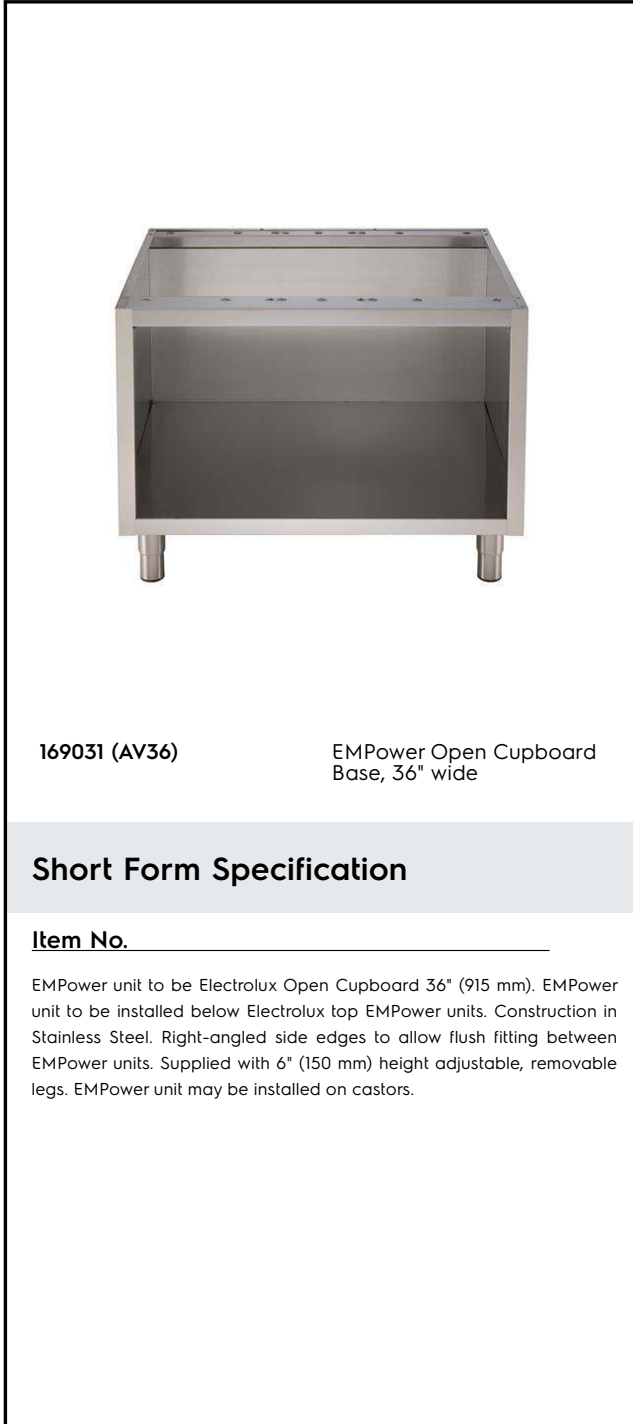
ITEM # \_\_\_\_\_

MODEL # \_\_\_\_\_

NAME # \_\_\_\_\_

SIS # \_\_\_\_\_

AIA # \_\_\_\_\_



### Main Features

- Unit to be installed below Electrolux Professional top models.
- Right-angled side edges to allow flush fitting joints between units, eliminating gaps and possible dirt traps.
- Supplied with 6" (150 mm) height adjustable, removable legs.
- Unit may be installed on casters.
- Base compartment for storage of pots, pans, sheet pans, etc.
- Included Accessories: 4 pins for connection to top units.

### Construction

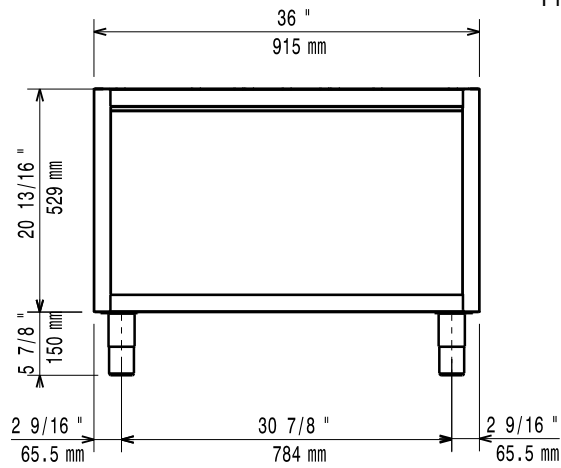
- Constructed in Stainless steel with Scotch Brite finish to meet the highest hygiene standards.
- Height adjustable feet.
- 4 screws to install top unit on the cupboard base are supplied with the top units.

### Optional Accessories

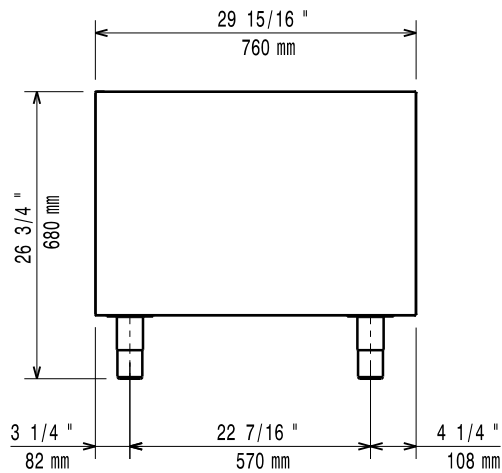
- Kit connecting bases - 2 plates and 2 wheels - 1 with brake. Suitable for pasta cookers, open bases and convection oven base                      PNC 169041
- EMPower kit of 2 side supports for shelf grids for 24" and 36" open cupboard bases                      PNC 169089
- EMPower shelf grid for 36" open cupboard base                      PNC 169092
- EMPower portioning shelf 12"                      PNC 169173
- EMPower portioning shelf 16"                      PNC 169174
- EMPower portioning shelf 24"                      PNC 169175
- EMPower portioning shelf 36"                      PNC 169176
- Kit 4 wheels - 2 swiveling with brake                      PNC 206135

APPROVAL: \_\_\_\_\_

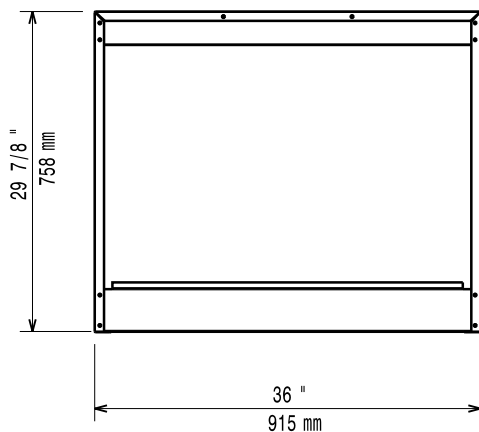
Front



Side



Top


**Key Information:**
**External dimensions, Width:**
**169031 (AV36)** 36 1/32" (915 mm)

**External dimensions, Depth:** 29 15/16" (760 mm)

**External dimensions, Height:** 26 11/16" (678 mm)

**Net weight:** 66 lbs (30 kg)

**Shipping width:** 35 7/16" (900 mm)

**Shipping depth:** 38 9/16" (980 mm)

**Shipping height:** 35 1/16" (890 mm)

**Shipping weight:** 104 lbs (47 kg)

**Shipping volume:** 27.72 ft<sup>3</sup> (0.78 m<sup>3</sup>)